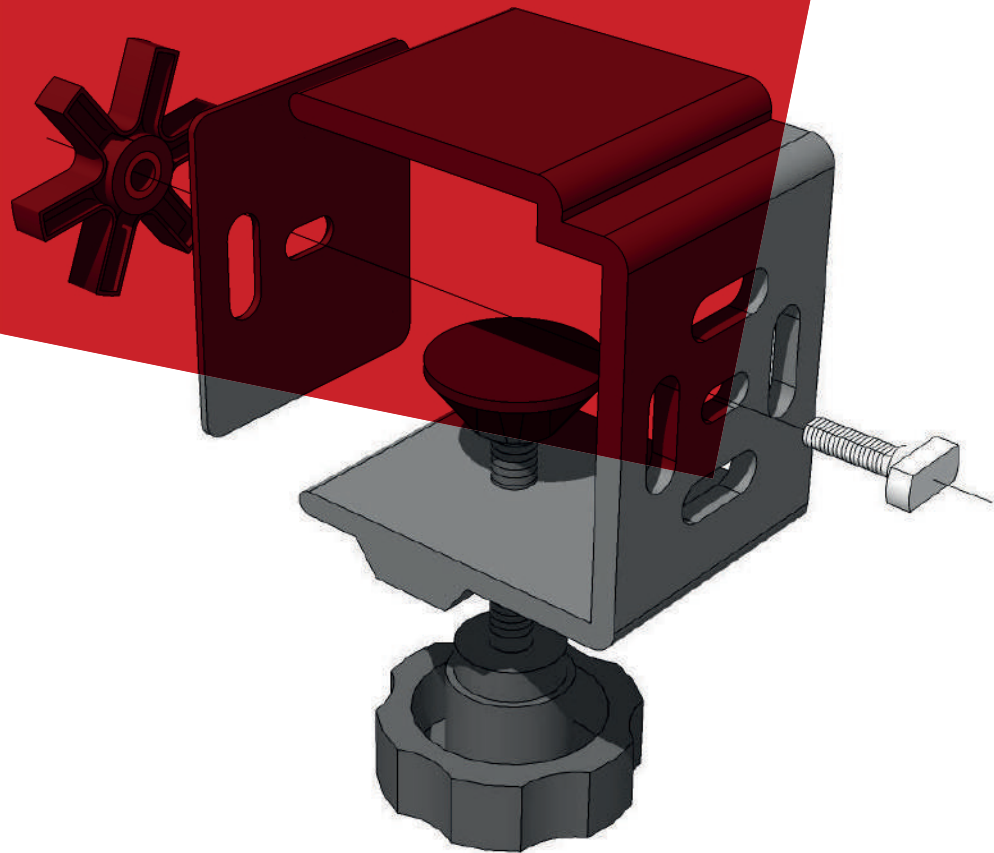
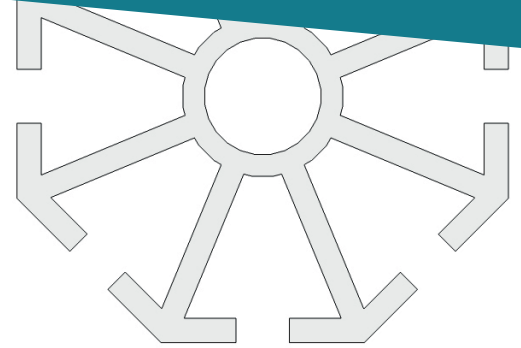
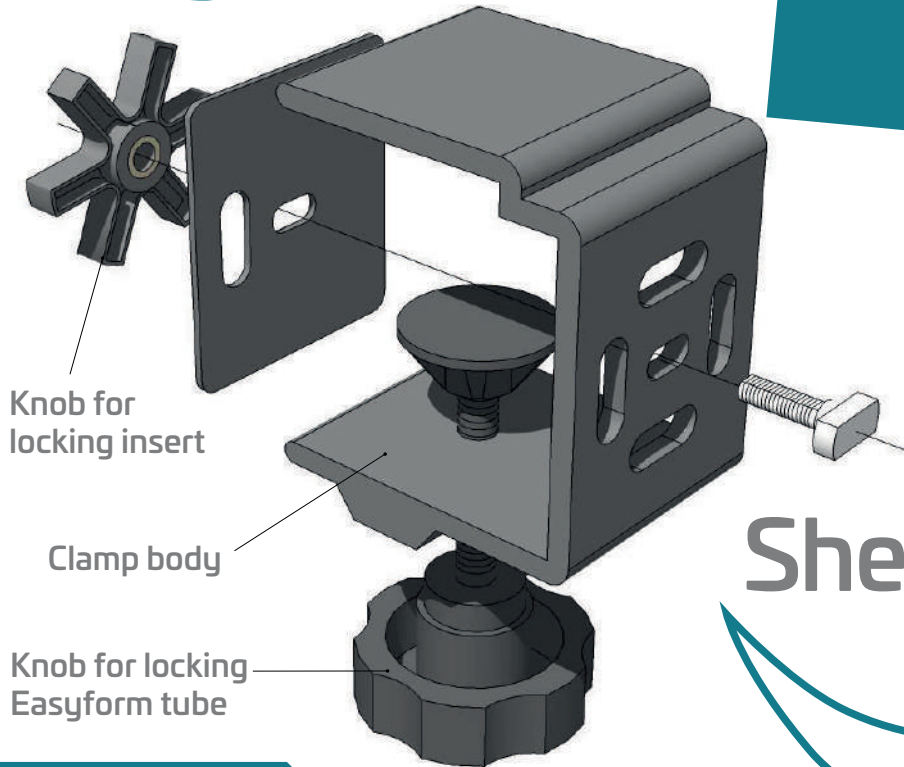




Convert Shell Scheme Into Seamless Displays



Dynamic & Easy To Build



Shell-Kit Clamp

SHCLMP

Shell-Kit Clamp

Easyform Shell-Kit has been designed with budget in mind. By using a specially designed clamp, shell scheme spaces can be converted and clad to create seamless yet professional display environments.

By utilising the Easyform clamp, Easyform can be fixed directly to any shell scheme throughout the world without the need for tools, saving you time and money.

The framework is then clad with a roll-able, rigid or fabric graphic. Incredibly compact, Easyform Shell-kit sits just 60mm away from the shell scheme wall, maximising floor space

Uniquely designed, Easyform Shell-kit can be broken down into manageable lengths for ease of transport, with the average 3x3 shell scheme stand fitting in a bag over your shoulder



SMALL INSERT

For Octanorm
(Supplied fitted to clamp as standard)



MEDIUM INSERT

For Foga, Modul, Sodem, Syma & Unibox
(Supplied separately with clamp)



LARGE INSERT

For Click
(Supplied separately with clamp)

Interchangeable Inserts

Locking inserts are interchangeable and allow the Easyform Shell-Kit Clamp to fit to all of our Aluminium Profiles

Easyform Shell-Kit Features At A Glance

Accommodates Lights

Integrated Screens

SHCLMP

Shell-Kit Clamp

- Fast, simple and easy to fit
- No tools required
- Can accommodate screens, plinths, storage etc
- Low cost solution
- Compact and lightweight
- Carries rigid, roll-able or tension fabric panels
- Fits any shell scheme profile
- Independent seamless graphics
- Intergrates with all Easyform systems
- Can be reconfigured into larger freestanding structures.
- Shell-Kit panels can be re-used on wider shell scheme walls.
- Saves much needed floor space compared to a 'pop up'

Seamless Graphics

Guaranteed Fit

Shell-Kit Standard Height 2380.5mm



1 Build the T3 framework



2 Attach the graphics



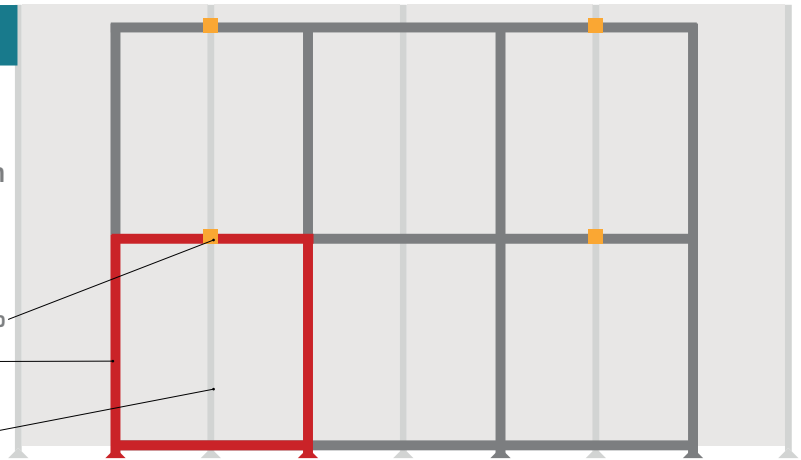
3 The finished wall

Building An Easyform Shell-Kit Wall

Start building the Easyform Structure constructing a square at each bottom corner. Using the Easyform clamp, locate the Easyform to the shell scheme.

Construct the remaining frame securing the frame to the shell scheme using the remaining clamps.

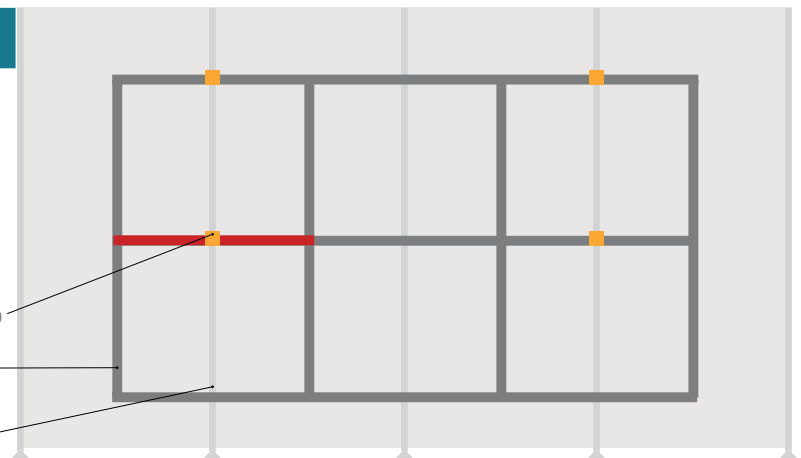
Easyform Clamp
Easyform Framework
Shell Scheme Wall



Building A Floating Easyform Display Panel

Start building the Easyform structure by fitting one of the middle horizontal beams. It is important that this is level before tightening the clamp.

Easyform Clamp
Easyform Framework
Shell Scheme Wall





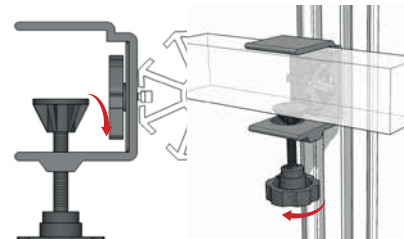
Fits Any Shell Scheme Profile

Fitting The Clamp To Shell Scheme



1 Starting with the clamp at 90° to its finished position, place the locking insert into the channel of the shell scheme upright.

2 Turn the clamp 90° The locking insert will now hold the clamp to the upright.



3 Tighten the knob for the locking insert to secure the clamp in position on the upright.

4 The Easyform beam can now be positioned in the clamp, held by tightening the second knob.

*Easyform framework can be easily repositioned or adjusted by releasing the clamps.





Merit[™]

Driving Brand Performance

Merit Display Ltd
20 Canley Road
Coventry Business Park
Coventry
CV5 6BH

sales@merit-display.co.uk
02476 676700
www.merit-display.com

www.merit-display.com